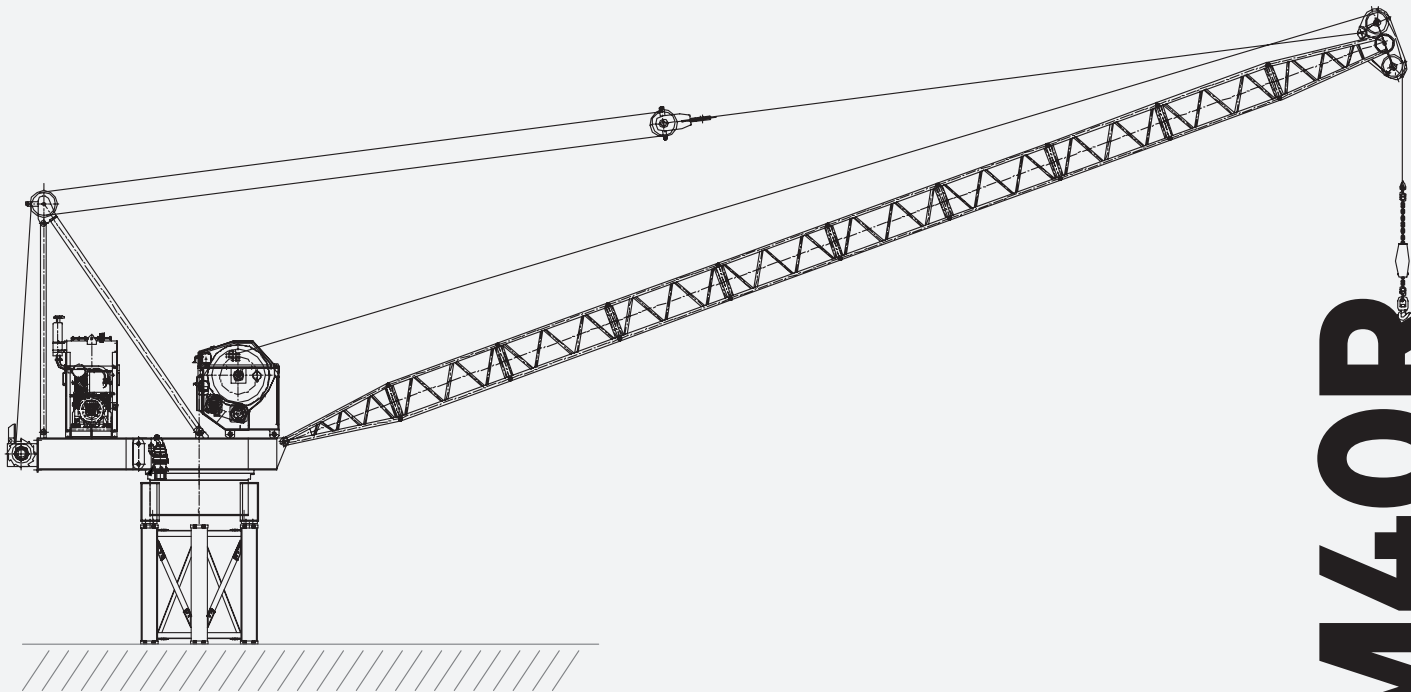


MARR

FVELLE
FAVCO

M40R RECOVERY CRANE



M40R

TECHNICAL DATA SHEET

M40R RECOVERY CRANE

MAXIMUM ALLOWABLE SERVICE WIND
SPEED OF 20 m/s



COMPATIBLE WITH
100% RENEWABLE
DIESEL (HVO100)



M40R LOAD CHARTS

3 TONNE WINCH - 1 FALL MAIN HOIST

BOOM LENGTH 10.8m		BOOM LENGTH 12.4m		BOOM LENGTH 14.0m		BOOM LENGTH 15.5m	
RADIUS (m)	S.W.L (TONNES)	RADIUS (m)	S.W.L (TONNES)	RADIUS (m)	S.W.L (TONNES)	RADIUS (m)	S.W.L (TONNES)
3.7	3.0	4.0	3.0	4.4	3.0	4.7	3.0
5.0	3.0	5.0	3.0	5.0	3.0	5.0	3.0
6.0	3.0	6.0	3.0	6.0	3.0	10.7	3.0
7.0	3.0	8.0	3.0	8.0	3.0	11.0	2.9
8.0	3.0	10.0	3.0	10.0	3.0	12.5	2.7
9.0	3.0	12.0	3.0	12.0	3.0	15.0	2.2
11.8	3.0	13.3	2.5	14.8	2.2	16.4	1.8

3 TONNE WINCH - 2 FALL MAIN HOIST

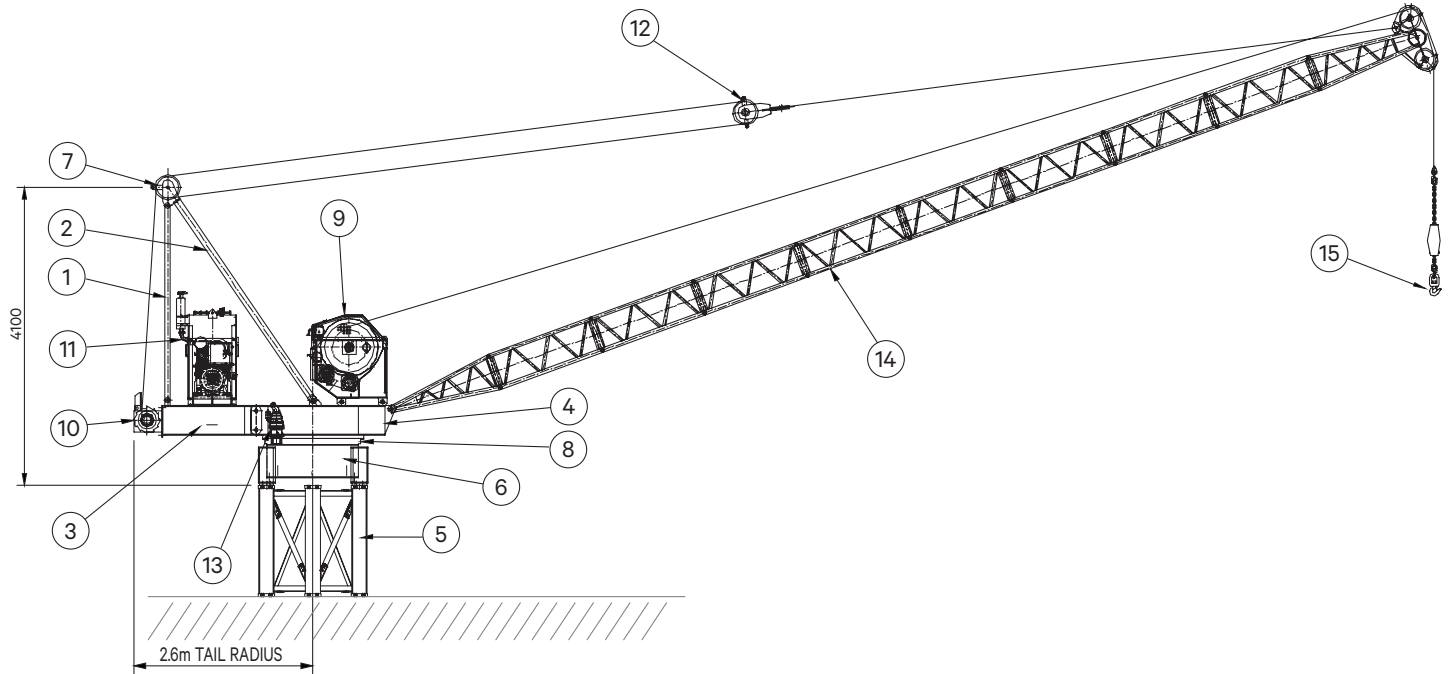
BOOM LENGTH 10.81m		BOOM LENGTH 12.38m		BOOM LENGTH 13.95m		BOOM LENGTH 15.52m	
RADIUS (m)	S.W.L (TONNES)	RADIUS (m)	S.W.L (TONNES)	RADIUS (m)	S.W.L (TONNES)	RADIUS (m)	S.W.L (TONNES)
3.7	6.0	4.0	6.0	4.4	6.0	4.7	5.7
4.0	6.0	5.0	6.0	5.0	6.0	5.0	5.6
5.0	6.0	6.0	6.0	5.5	6.0	5.5	5.4
6.0	6.0	6.5	6.0	6.0	6.0	6.0	5.3
7.0	6.0	7.0	6.0	6.5	6.0	6.5	5.1
7.5	5.6	7.5	5.5	7.0	5.9	7.0	4.9
8.0	5.2	8.0	5.1	7.5	5.5	7.5	4.8
8.5	4.8	8.5	4.8	8.0	5.1	8.0	4.6
9.0	4.5	9.0	4.5	8.5	4.8	8.5	4.5
9.5	4.3	9.5	4.2	9.0	4.5	9.0	4.3
10.0	4.0	10.0	4.0	9.5	4.2	9.5	4.1
10.5	3.8	10.5	3.8	10.0	3.9	10.0	3.9
11.0	3.6	11.0	3.6	10.5	3.7	10.5	3.7
11.5	3.4	11.5	3.4	11.0	3.5	11.0	3.5
11.6	3.4	12.0	3.2	11.5	3.3	11.5	3.3
-	-	12.5	3.1	12.0	3.2	12.0	3.1
-	-	13.0	2.9	12.5	3.0	12.5	3.0
-	-	13.3	2.8	13.0	2.9	13.0	2.8
-	-	-	-	13.5	2.7	13.5	2.7
-	-	-	-	14.0	2.6	14.0	2.6
-	-	-	-	14.5	2.5	14.5	2.5
-	-	-	-	14.8	2.4	15.0	2.4
-	-	-	-	-	-	15.5	2.3
-	-	-	-	-	-	16.0	2.2
-	-	-	-	-	-	16.3	2.1



M40R GENERAL DIMENSIONS

GENERAL ARRANGEMENT

M40R



M40R CRANE COMPONENT WEIGHT LIST (Indicative for information only*)

ITEM No.	DESCRIPTION	WEIGHT PER ITEM (kg)
MACHINERY DECK ASSEMBLY		~3.4 Tonnes
4	- MACHINERY SPLIT DECK FRONT PORT	318kg
4	- MACHINERY SPLIT DECK FRONT STARBOARD	330kg
3	- MACHINERY SPLIT DECK REAR PORT	119kg
3	- MACHINERY SPLIT DECK REAR STARBOARD	119kg
8 & 13	- SLEW RING & DRIVE ASSEMBLY	328kg
11	- POWER PACK ASSEMBLY	378kg
9	- HOIST WINCH ASS EMBLY (NO ROPES)	806kg
10	- LUFF WINCH ASSEMBLY (NO ROPES)	295kg
9	- WIRE ROPES HOIST	600kg
7	- WIRE ROPES LUFF	40kg
1 & 2	MAST ASSEMBLY	275kg
12	BRIDLE ASSEMBLY	95kg
15	3 TONNE SINGLE FALL HOOK ASSEMBLY	80kg
6	SLEW MOUNT	311kg
5	TOWER SECTION	636kg
14	BOOM ASSEMBLY	450kg *weight varies depending on the boom length